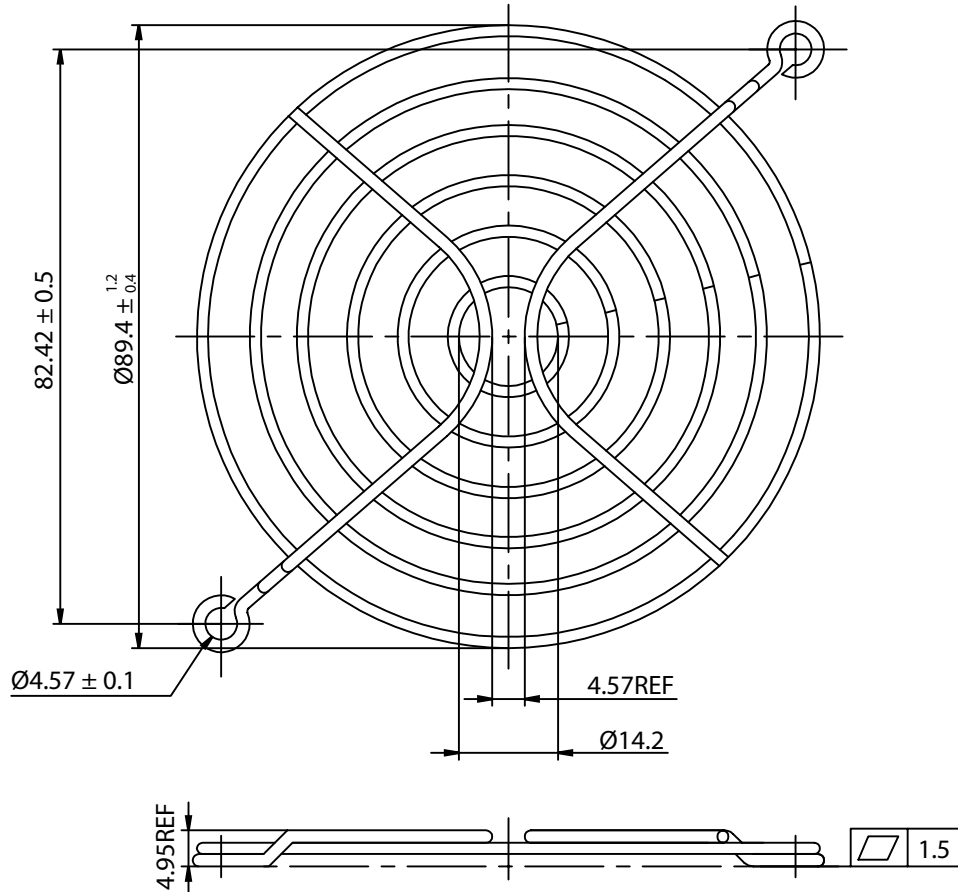


THESE DRAWINGS ARE THE PROPERTY OF QUALTEK ELECTRONICS AND NOT TO BE REPRODUCED FOR OR COMMUNICATED TO A THIRD PARTY WITHOUT THE EXPRESS WRITTEN PERMISSION OF AN OFFICER OF QUALTEK ELECTRONICS.

| REVISION | | | |
|----------|-----------------|----------|----------|
| REV. | DESCRIPTION | DATE | APPROVED |
| B | RoHS Compliance | 06-01-06 | DP |
| | | | |
| | | | |



NOTES:

1. MATERIAL: SAE1008 BRIGHT BASIC WIRE
2. FINISH: BRIGHT NICKEL CHROME PLATING
3. 0.30 ± 0.05 DEPTH OF SERRATIONS ON WIRE
4. RING: Ø1.6 ± 0.1mm
RIB: Ø1.8 ± 0.1mm
5. GENERAL TOLERANCE UNLESS NOTED IS ± 0.5mm
6. RoHS COMPLIANT

CONTROLLED

| Dim range (mm) | | Tolerance +/- (mm) | Qualtek Electronics Corp. FAN-S DIVISION | | |
|----------------|------|--|---|--------------|----------------|
| 0-5 | 0.1 | Part Number: 08133 RoHS Compliant Description: WIRE FORM FAN GUARD (92mm) | UNIT: mm | REV: B | |
| 5-16 | 0.15 | | | Drawn / Date | Checked / Date |
| 16-64 | 0.2 | | K.HUANG 08-21-98 | | |
| 64-250 | 0.4 | | | | |
| 250-1000 | 0.5 | | | | |
| 1000-1500 | 1.0 | | | | |